

# SLIT-SEPTUM AND CANNULA LINE

Needleless Components for IV Applications

## Ordering Information

	Article number	Description	Box quantities	Packing
Y-Site	220209	For 0.161" (4.1mm) tube (OD)	4,000	Bulk, Non-Sterile
	220210	For 0.146" (3.71mm) tube (OD)	4,000	Bulk, Non-Sterile
	220214	For 0.162" (4.115mm) tube (OD)	4,000	Bulk, Non-Sterile
	220215	For 0.141" (3.581mm) tube (OD)	4,000	Bulk, Non-Sterile
Injection site	220505	Luer Lock Injection Site	4,000	Bulk, Non-Sterile
	220305	Luer Slip Injection Site	10,000	Bulk, Non-Sterile

	Article number	Description	Box quantities	Packing
Cannula	210406	Locking Cannula	2,500	Bulk, Non-Sterile
	220402	Locking Cannula with Protector	2,500	Bulk, Non-Sterile
	210408	Straight Cannula	5,000	Bulk, Non-Sterile
	220405	Straight Cannula with Protector	4,000	Bulk, Non-Sterile



Ideas to Solutions



# SLIT-SEPTUM AND CANNULA LINE

Needleless Components for IV Applications



Head Office / Manufacturer  
Elcam Medical  
BarAm 13860  
Israel  
Tel: 972-4-698-8120/1/2  
Fax: 972-4-698-0777  
sales@elcam.co.il  
www.elcam-medical.com

USA  
Elcam Medical INC.  
2 University Plaza, Suite 620  
07601 Hackensack, NJ  
Tel: +1 201 4571120  
Fax: +1 201 4571125  
info@elcam-medical.com  
www.elcam-medical.com

Europe  
MedNet GmbH  
Borkstrasse 10  
48163 Muenster Germany  
Tel: +49 (0) 251 32266 0  
Fax: +49 (0) 251 32266 22  
info@medneteuropa.com  
www.medneteuropa.com

China  
Elcam China Office  
Room 25B, Building B, No. 1118 of Changshou Rd.,  
Shanghai 200042, China  
上海市长寿路1118号悦达国际大厦B幢25B室, 200042  
Tel: +86 2152375561  
Fax: +86 2152375562  
johnliu02@126.com



ISO 13485  
ISO 9001

REV-2\_07/2009

www.elcam-medical.com

Devices with an injection site, allowing needle-free penetration through a latex-free septum.

**Y-Site**

- A Y-shaped device designed to match I.V. sets
- For continuous and/or intermittent infusion



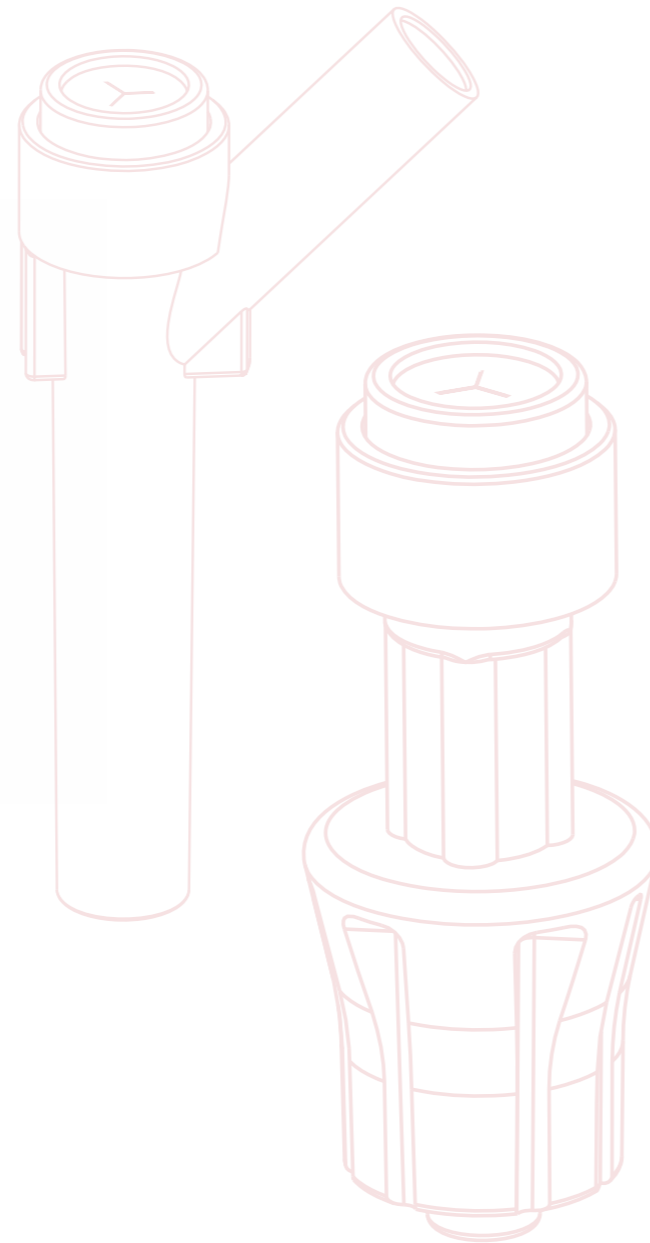
**Luer Lock/ Luer Slip Injection Site**

- A latex-free needle-less injection site
- For sampling and administration of medications

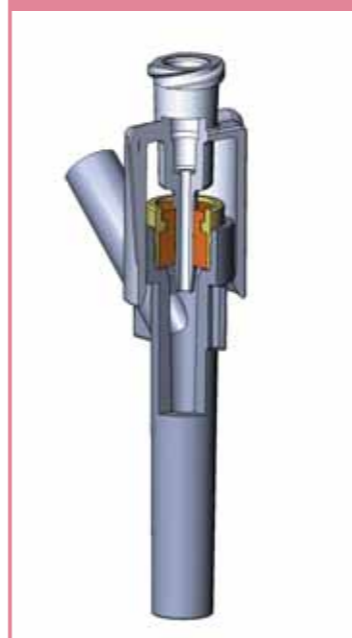


**Features**

- Eliminates the need for using needles, providing protection against needle sticks
- Self - reseal after syringe retraction
- Leak-proof for 150 activations/penetrations
- Compatible with all common fluids used in I.V. therapy, anesthesia and feeding
- All the materials meet biological requirements according to ISO 10993-1: under 'blood contact, indirect and prolonged duration'
- EtO and Gamma Radiation sterilization compatible



Y-Site with Straight Cannula



**CANNULA**  
Needleless Components for IV Applications

An adapting device used to penetrate the Y-site and injection site, eliminating the need to use needles in hospital procedures.

**Locking Cannula**

- Providing complete safety in a secure connection through the locking mechanism
- For secondary sets and secure syringe connections



**Straight Cannula**

- Cannula with safety wings to maintain a good grip
- For medication push via a syringe

**Features**

- Eliminates the need for using needles, providing protection against needle sticks
- Fast and easy connection and disconnection to I.V. lines
- Compatible with all common fluids used in I.V. therapy, anesthesia and feeding. Lipid resistant
- All the materials meet biological requirements according to ISO 10993-1: under 'blood contact, indirect and prolonged duration'
- EtO and Gamma Radiation sterilization compatible

Y-Site with Locking Cannula

